



FRAME HORIZONTAL



5 YEARS WARRANTY

MATERIAL:

Vertical collectors in painted mild steel with \varnothing of 30 mm
 Heating elements in painted mild steel
 Heating plate in painted mild steel

FIXING KIT:

Brackets, airvent, hexagonal tool, plugs and screws suitable for use on compact or hollow brick, installation notice.
 The fixing kit is compliant with VDI 6036 norm, class 4.

PACKAGING:

The radiator is protected by a film in polyethylene and with a carton box.
 Use and maintenance notice included.

PAINTING PROCESS:

Painted with ecological epoxy. (Certificate DIN 55900-1,-2).
 Thermal outputs certified in accredited laboratories in compliance with European norm EN442.

COLORS:

Radiators and accessories: standard white R01 color.
 For other colors see color chart.

PRODUCT CERTIFICATES



P. max: 5 bar

T. max: 110° C

Available for central heating systems

Connections: n° 2 x G 1/2" - n° 1 x G 1/2"

HOW TO ORDER THE HORIZONTAL FRAME

ARTICLE CODE STRUCTURE

Radiator model	Radiator dimensions	Article code of the connection	Article code of the color/finish Different color from standard (R01 - R02) surcharge +30%	Constant value
AAAA	BBB CC	DDD	EEE	B

Example

Radiator model Example: Frame radiator	Radiator dimensions Example: mm 464x1822	Article code of the connection Example: connection H01	Article code of the finish Example: White color R01	Constant value
FRST	464 18	H01	R01	B

EXAMPLE OF ARTICLE CODE CREATION

In case of a FRAME OR white 464x1822 mm, with H01 connection.

The article code will be:

FRST 464 18 H01 R01 B

ACCESSORIES



Elegant square manual valve kit painted pure white R01

Copper connection \varnothing 12/14/15
 Art. Nr. 5991990310553

Multilayer connection \varnothing 16 x2
 Art. Nr. 5991990310552

FRAME HORIZONTAL with wall-fit thermostatic valve



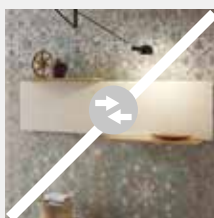
Manual wall-fit valves

Wall-fit valves
 Art. Nr. 5991990311226

Fitting for wall-fit valves
 Copper connection \varnothing 12/14/15
 Art. Nr. 5991170300001

Fitting for wall-fit valves
 Multilayer connection \varnothing 16 x2
 Art. Nr. 5991170300002

LYNEA ACCESSORIES by Marco Pisati



Wood TOP SHELF
 L. 800 mm

Wood BOTTOM SHELF
 L. 800 mm

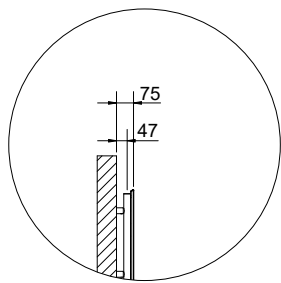
Whitened oak

Whitened oak

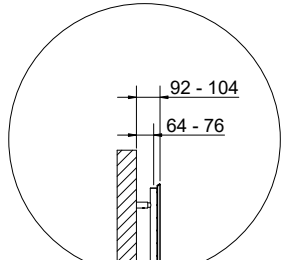
Art. Nr. 5991990500031

Art. Nr. 5991990500034

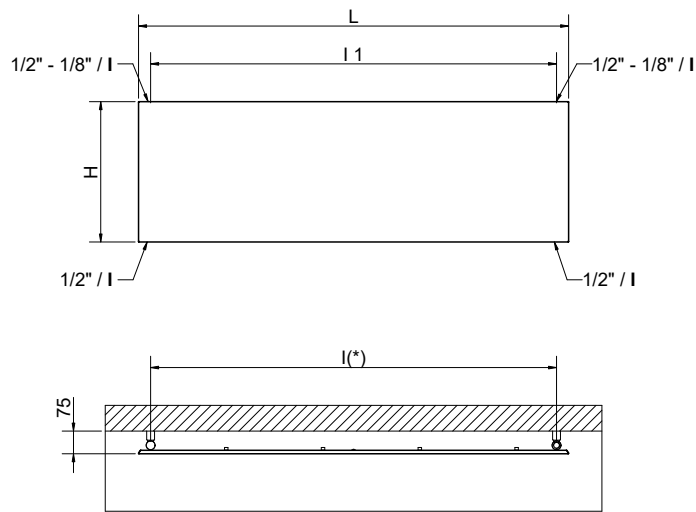
Adjustable shelves



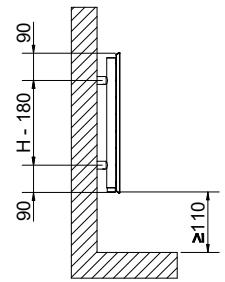
H01 - H02 - H03
H04 - H05



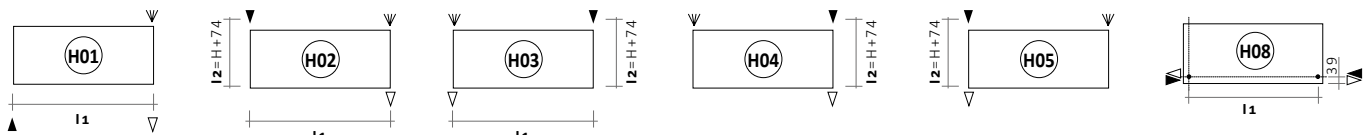
H08



(*) The fixing kit has the same pipe centre (l) as the radiator



Standard connections



Connection for wall-fit valves.

Always specify the kind of connection needed when ordering (from H1 to H8).

l2: valid only for Elegant Cordivari square valves.

Legend = In Out Airvent **H** Height **l** Pipe Centres **L** Width Connection

FRAME HORIZONTAL

DDD: replace with the type of connection.

Art. Nr.	Width L [mm]	Height H [mm]	Pipe Centres		Dry Weight [Kg]	Surface [m ²]	Water Content [lt]	Thermal output Watt		Exponent n
			(H01-H02- H03-H8) l1 [mm]	(H02-H03- H04-H5) l2 [mm]				$\Delta t = 50^{\circ}\text{C}$	$\Delta t = 30^{\circ}\text{C}$	
FRST 352 10 DDD R01 B	1022	352	942	432	7,2	0,75	2,64	381	197	1,2894
FRST 464 10 DDD R01 B		464	942	544	9,7	0,98	3,5	499	258	1,2894
FRST 576 10 DDD R01 B		576	942	649	12,0	1,21	4,4	617	319	1,2894
FRST 688 10 DDD R01 B		688	942	768	14,6	1,44	5,2	735	380	1,2894
FRST 352 12 DDD R01 B	1222	352	1142	432	8,6	0,89	3,02	455	236	1,2881
FRST 464 12 DDD R01 B		464	1142	544	11,4	1,17	4,0	596	309	1,2881
FRST 576 12 DDD R01 B		576	1142	649	14,0	1,44	5,1	736	381	1,2881
FRST 688 12 DDD R01 B		688	1142	768	17,2	1,72	6,1	877	454	1,2881
FRST 352 14 DDD R01 B	1422	352	1342	432	9,9	1,04	3,5	529	274	1,2867
FRST 464 14 DDD R01 B		464	1342	544	13,2	1,36	4,6	692	359	1,2867
FRST 576 14 DDD R01 B		576	1342	649	16,5	1,68	5,9	856	444	1,2867
FRST 688 14 DDD R01 B		688	1342	768	19,8	2,00	7,0	1020	529	1,2867
FRST 352 16 DDD R01 B	1622	352	1542	432	11,2	1,16	3,8	595	309	1,2854
FRST 464 16 DDD R01 B		464	1542	544	14,9	1,55	5,2	789	409	1,2854
FRST 576 16 DDD R01 B		576	1542	649	18,6	1,94	6,8	976	506	1,2854
FRST 352 18 DDD R01 B	1822	352	1742	432	12,5	1,33	4,37	676	351	1,2840
FRST 464 18 DDD R01 B		464	1742	544	16,6	1,74	5,8	880	457	1,2840
FRST 576 18 DDD R01 B		576	1742	649	20,9	2,15	7,2	1100	571	1,2840
FRST 688 18 DDD R01 B		688	1742	768	25,0	2,56	8,7	1304	677	1,2840
FRST 352 20 DDD R01 B	2022	352	1942	432	13,5	1,47	4,85	750	390	1,2826
FRST 464 20 DDD R01 B		464	1942	544	18,4	1,93	6,4	978	508	1,2826
FRST 576 20 DDD R01 B		576	1942	649	23,0	2,38	8,0	1222	635	1,2826
FRST 688 20 DDD R01 B		688	1942	768	27,6	2,84	9,6	1447	751	1,2826

Art. Nr. referred to WHITE R01 color version.

For output at different Δt than 50°C , please refer to the following formula = desired output = output at $\Delta t 50^{\circ}\text{C}$ x (desired $\Delta t/50$)ⁿ